

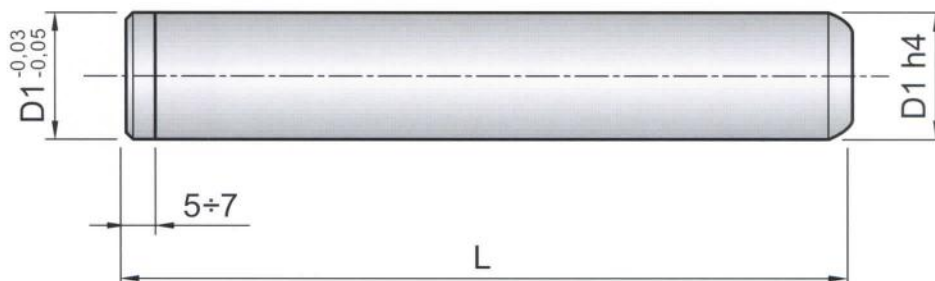
# ISO



**VANZO**  
P.I. 1ère Avenue 267  
B 4040 HERSTAL  
Tél: +32 (0)4 240 69 99

~ DIN 9825 / ISO 9182-2

Material: 1.7131 - Hardness: 61±63 HRC



Code	D1	Code	D1	L	Code	D1	Code	D1	L
		CIS18120	18	120	CIS24260	24	CIS25260	25	260
		CIS18130		130	CIS24270		CIS25270		270
		CIS18140		140	CIS24280		CIS25280		280
		CIS18150		150	CIS24300		CIS25300		300
		CIS18160		160	CIS24315		CIS25315		315
		CIS18170		170	CIS24355		CIS25355		355
		CIS18180		180	CIS24400		CIS25400		400
		CIS18190		190	CIS24450		CIS25450		450
		CIS18200		200	CIS24500		CIS25500		500
CIS19100	19	CIS20100	20	100	CIS30125	30	CIS32125	32	125
CIS19112		CIS20112		112	CIS30140		CIS32140		140
CIS19120				120	CIS30150		CIS32150		150
CIS19125		CIS20125		125	CIS30160		CIS32160		160
CIS19130				130	CIS30170		CIS32170		170
CIS19140		CIS20140		140	CIS30180		CIS32180		180
CIS19150				150	CIS30190		CIS32190		190
CIS19160		CIS20160		160	CIS30200		CIS32200		200
CIS19170				170	CIS30210		CIS32210		210
CIS19180		CIS20180		180	CIS30220		CIS32220		220
CIS19190				190	CIS30224		CIS32224		224
CIS19200		CIS20200		200	CIS30230		CIS32230		230
CIS19224		CIS20224		224	CIS30240		CIS32240		240
CIS19250		CIS20250		250	CIS30250		CIS32250		250
CIS24125	24	CIS25125	25	125	CIS30260		CIS32260		260
CIS24140		CIS25140		140	CIS30270		CIS32270		270
CIS24150		CIS25150		150	CIS30280		CIS32280		280
CIS24160		CIS25160		160	CIS30300		CIS32300		300
CIS24170		CIS25170		170	CIS30315		CIS32315		315
CIS24180		CIS25180		180	CIS30355		CIS32355		355
CIS24190		CIS25190		190	CIS30400		CIS32400		400
CIS24200		CIS25200		200	CIS30450		CIS32450		450
CIS24210		CIS25210		210	CIS30500		CIS32500		500
CIS24220		CIS25220		220	CIS38160	38	CIS40160	40	160
CIS24224		CIS25224		224			CIS40170		170
CIS24230		CIS25230		230	CIS38180		CIS40180		180
CIS24240		CIS25240		240			CIS40190		190
CIS24250		CIS25250		250	CIS38200		CIS40200		200

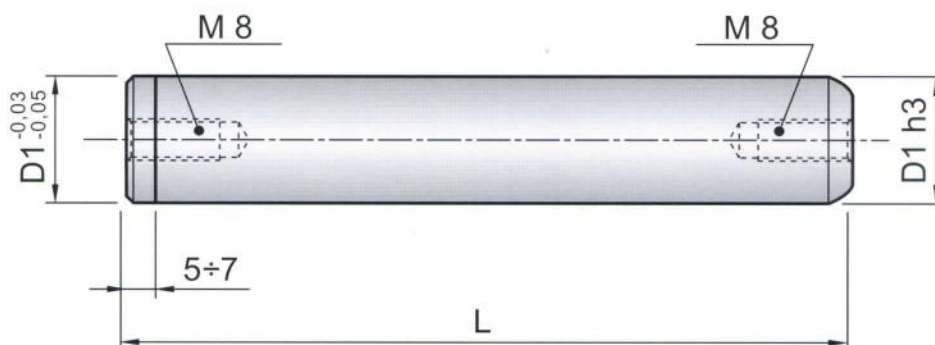
~ DIN 9825 / ISO 9182-2

Material: 1.7131 - Hardness: 61÷63 HRC

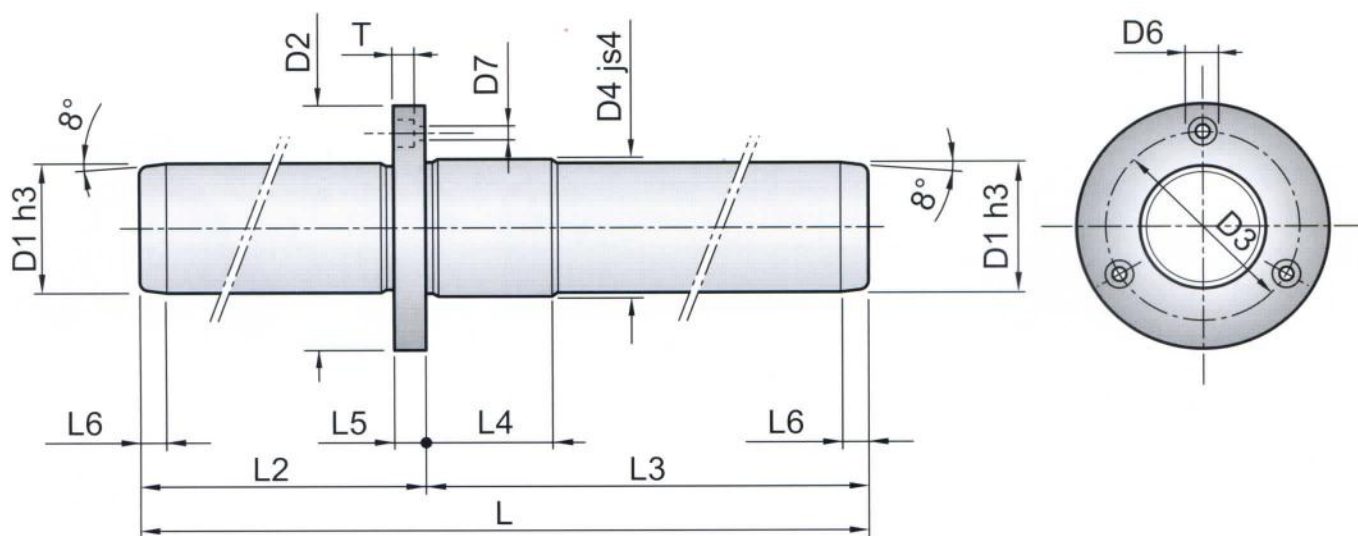
Code	D1	Code	D1	L	Code	D1	Code	D1	L
		CIS40210	40	210	CIS50320	50	CIS52320	52	320
		CIS40220		220	CIS50350		CIS52350		350
CIS38224	38	CIS40224		224	CIS50355				355
		CIS40230		230	CIS50400		CIS52400		400
		CIS40240		240	CIS50450				450
CIS38250		CIS40250		250	CIS50500				500
		CIS40260		260			CIS63200	63	200
		CIS40270		270			CIS63220		220
CIS38280		CIS40280		280			CIS63240		240
		CIS40300		300	CIS60250	60	CIS63250		250
CIS38315		CIS40315		315			CIS63260		260
		CIS40320		320	CIS60280		CIS63280		280
		CIS40350		350			CIS63300		300
CIS38355		CIS40355		355	CIS60315		CIS63315		315
CIS38400		CIS40400		400			CIS63320		320
CIS38450		CIS40450		450	CIS60355		CIS63355		355
CIS38500		CIS40500		500			CIS63360		360
		CIS42170	42	170	CIS60400		CIS63400		400
		CIS42180		180	CIS60450		CIS63450		450
		CIS42190		190	CIS60500		CIS63500		500
		CIS42200		200			CIS80280	80	280
		CIS42210		210			CIS80300		300
		CIS42220		220			CIS80315		315
		CIS42230		230			CIS80320		320
		CIS42240		240			CIS80355		355
		CIS42250		250			CIS80360		360
		CIS42260		260			CIS80400		400
		CIS42270		270			CIS80450		450
		CIS42280		280			CIS80500		500
		CIS42300		300			CIS80600		600
		CIS42320		320			CIS80700		700
		CIS42350		350			CIS80800		800
		CIS42400		400					
		CIS48200	48	200					
		CIS48224		224					
		CIS48250		250					
		CIS48280		280					
		CIS48315		315					
		CIS48355		355					
		CIS48400		400					
		CIS48450		450					
		CIS48500		500					
CIS50180	50	CIS52180	52	180					
CIS50190		CIS52190		190					
CIS50200		CIS52200		200					
CIS50210		CIS52210		210					
CIS50220		CIS52220		220					
CIS50224				224					
CIS50230		CIS52230		230					
CIS50240		CIS52240		240					
CIS50250		CIS52250		250					
CIS50260		CIS52260		260					
CIS50270		CIS52270		270					
CIS50280		CIS52280		280					
CIS50300		CIS52300		300					
CIS50315				315					

~ DIN 9825 / ~ ISO 9182-2

Material: 1.7131 - Hardness: 61±63 HRC

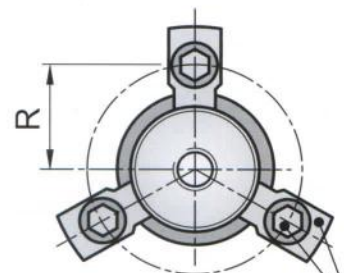
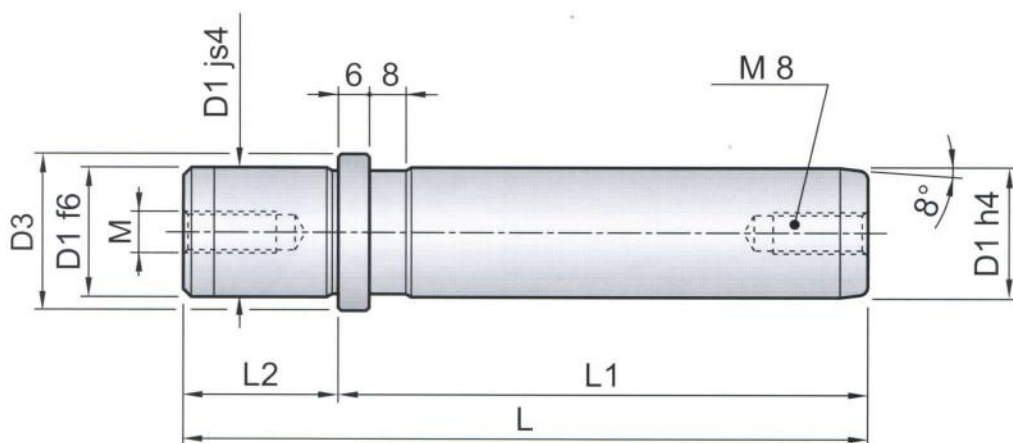


Code	D1	Code	D1	L	Code	D1	Code	D1	L
CIAF19100	19	CIAF20100	20	100	CIAF38200	38	CIAF40200	40	200
CIAF19112		CIAF20112		112	CIAF38224		CIAF40224		224
CIAF19125		CIAF20125		125	CIAF38250		CIAF40250		250
CIAF19140		CIAF20140		140	CIAF38280		CIAF40280		280
CIAF19160		CIAF20160		160	CIAF38315		CIAF40315		315
CIAF19180		CIAF20180		180	CIAF38355		CIAF40355		355
CIAF19200		CIAF20200		200	CIAF38400		CIAF40400		400
CIAF19224		CIAF20224		224	CIAF38450		CIAF40450		450
CIAF19250		CIAF20250		250	CIAF38500		CIAF40500		500
CIAF24125	24	CIAF25125	25	125	CIAF48200	48	CIAF50200	50	200
CIAF24140		CIAF25140		140	CIAF48224		CIAF50224		224
CIAF24160		CIAF25160		160	CIAF48250		CIAF50250		250
CIAF24180		CIAF25180		180	CIAF48280		CIAF50280		280
CIAF24200		CIAF25200		200	CIAF48315		CIAF50315		315
CIAF24224		CIAF25224		224	CIAF48355		CIAF50355		355
CIAF24250		CIAF25250		250	CIAF48400		CIAF50400		400
CIAF24280		CIAF25280		280	CIAF48450		CIAF50450		450
CIAF24315		CIAF25315		315	CIAF48500		CIAF50500		500
CIAF24355		CIAF25355		355	CIAF60250	60	CIAF63250	63	250
CIAF24400		CIAF25400		400	CIAF60280		CIAF63280		280
CIAF24450		CIAF25450		450	CIAF60315		CIAF63315		315
CIAF24500		CIAF25500		500	CIAF60355		CIAF63355		355
CIAF30125	30	CIAF32125	32	125	CIAF60400		CIAF63400		400
CIAF30140		CIAF32140		140	CIAF60450		CIAF63450		450
CIAF30160		CIAF32160		160	CIAF60500		CIAF63500		500
CIAF30180		CIAF32180		180			CIAF80280	80	280
CIAF30200		CIAF32200		200			CIAF80315		315
CIAF30224		CIAF32224		224			CIAF80355		355
CIAF30250		CIAF32250		250			CIAF80400		400
CIAF30280		CIAF32280		280			CIAF80450		450
CIAF30315		CIAF32315		315			CIAF80500		500
CIAF30355		CIAF32355		355			CIAF80600		600
CIAF30400		CIAF32400		400			CIAF80700		700
CIAF30450		CIAF32450		450			CIAF80800		800
CIAF30500		CIAF32500		500					
CIAF38160	38	CIAF40160	40	160					
CIAF38180		CIAF40180		180					



Code	D1	L2	L3	L	D2	D3	D4	D6	D7	L4	L5	L6	T										
CEAS197090	19	70	90	160	42	32	22	8	4,5	20	8	4	4,6										
CEAS1970100			100	170																			
CEAS1980100			80	100										180									
CEAS1980110		110		190																			
CEAS1990110		90		110										200									
CEAS19100110		100	110	210																			
CEAS2580100	25	80	100	180	48	38	26	8	4,5	22	8	6	4,6										
CEAS2580110			110	190																			
CEAS2590110		90	110	200																			
CEAS2590120			120	210																			
CEAS25100120			100	120										220									
CEAS25110120		110	120	230																			
CEAS3280100		32	80	100										180	60	48	34	10	5,5	25	10	7	5,7
CEAS3280110				110										190									
CEAS3290110	90		110	200																			
CEAS3290120			120	210																			
CEAS32100120			100	120	220																		
CEAS32100130	110		130	230																			
CEAS32110130			130	240																			
CEAS32110140			140	250																			
CEAS4090110	40	90	110	200	70	56	42	11	6,6	27	12	7	6,8										
CEAS4090120			120	210																			
CEAS40100120		100	120	220																			
CEAS40100130			130	230																			
CEAS40110130			110	130										240									
CEAS40110140		120	140	250																			
CEAS40120140			140	260																			

Material: 1.7131 - Hardness: 61÷63 HRC



**S 6 ISO + V6**

(a richiesta / on request / auf Anfrage)

D1 < 38 con / with / mit 3

D1 ≥ 38 con / with / mit 4

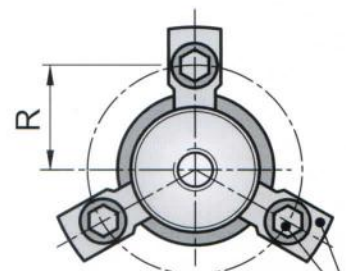
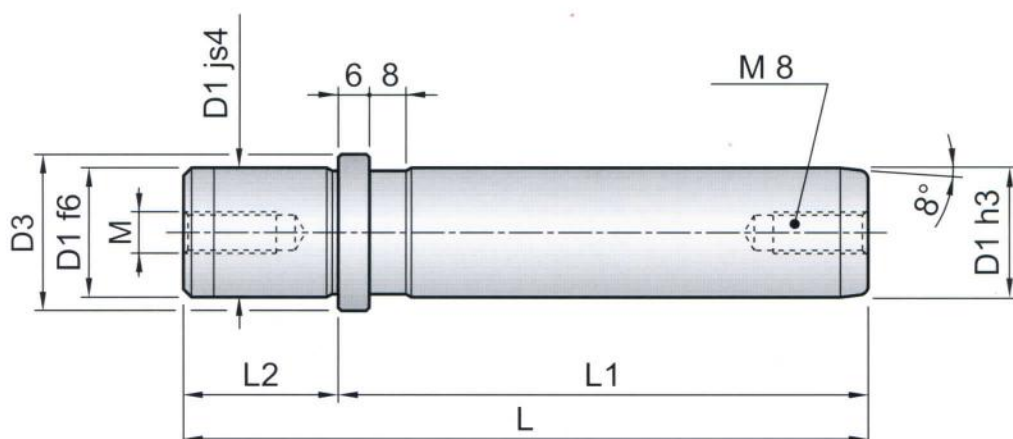
Code	D1	Code	D1	L1	L2	D3	M	R
CEA19100	19	CEA20100	20	100	23	25	M8	18
CEA19112		CEA20112		112				
CEA19125		CEA20125		125				
CEA19140		CEA20140		140				
CEA19160		CEA20160		160				
CEA19180		CEA20180		180				
CEA19200		CEA20200		200				
CEA24100		24		CEA25100				
CEA24112	CEA25112		112					
CEA24125	CEA25125		125					
CEA24140	CEA25140		140					
CEA24160	CEA25160		160					
CEA24180	CEA25180		180					
CEA24200	CEA25200		200					
CEA24224	CEA25224		224					
CEA24250	CEA25250	250						
CEA30112	30	CEA32112	32	112	37	40	M8	25,5
CEA30125		CEA32125		125				
CEA30140		CEA32140		140				
CEA30160		CEA32160		160				
CEA30180		CEA32180		180				
CEA30200		CEA32200		200				
CEA30224		CEA32224		224				
CEA30250		CEA32250		250				
CEA30280	CEA32280	280						
CEA30315	CEA32315	315						
CEA38125	38	CEA40125	40	125	37	50	M8	30,5
CEA38140		CEA40140		140				
CEA38160		CEA40160		160				
CEA38180		CEA40180		180				
CEA38200		CEA40200		200				
CEA38224		CEA40224		224				
CEA38250		CEA40250		250				
CEA38280		CEA40280		280				
CEA38315		CEA40315		315				
CEA38355		CEA40355		355				

Material: 1.7131 - Hardness: 61÷63 HRC

Code	D1	Code	D1	L1	L2	D3	M	R						
CEA48140	48	CEA50140	50	140	47	63	M8	37						
CEA48160		CEA50160		160										
CEA48180		CEA50180		180										
CEA48200		CEA50200		200										
CEA48224		CEA50224		224										
CEA48250		CEA50250		250										
CEA48280		CEA50280		280										
CEA48315		CEA50315		315										
CEA48355		CEA50355		355										
CEA48400		CEA50400		400										
CEA60160		60		CEA63160					63	160	47	80	M8	45,5
CEA60180	CEA63180		180											
CEA60200	CEA63200		200											
CEA60224	CEA63224		224											
CEA60250	CEA63250		250											
CEA60280	CEA63280		280											
CEA60315	CEA63315		315											
CEA60355	CEA63355		355											
CEA60400	CEA63400		400											
			CEA80200	80	200	60	95	M12		53				
			CEA80224		224									
		CEA80250	250											
		CEA80280	280											
		CEA80315	315											
		CEA80355	355											
		CEA80400	400											

DIN 9825 / ~ ISO 9182-5

Material: 1.7131 - Hardness: 61±63 HRC



**S 6 ISO + V6**  
(a richiesta / on request / auf Anfrage)  
D1 < 38 con / with / mit 3  
D1 ≥ 38 con / with / mit 4

Code	D1	Code	D1	L1	L2	D3	M	R
CEAQ19100	19	CEAQ20100	20	100	23	25	M8	18
CEAQ19112		CEAQ20112		112				
CEAQ19125		CEAQ20125		125				
CEAQ19140		CEAQ20140		140				
CEAQ19160		CEAQ20160		160				
CEAQ19180		CEAQ20180		180				
CEAQ19200		CEAQ20200		200				
CEAQ24100	24	CEAQ25100	25	100	30	32	M8	21,5
CEAQ24112		CEAQ25112		112				
CEAQ24125		CEAQ25125		125				
CEAQ24140		CEAQ25140		140				
CEAQ24160		CEAQ25160		160				
CEAQ24180		CEAQ25180		180				
CEAQ24200		CEAQ25200		200				
CEAQ24224		CEAQ25224		224				
CEAQ24250		CEAQ25250		250				
CEAQ30112	30	CEAQ32112	32	112	37	40	M8	25,5
CEAQ30125		CEAQ32125		125				
CEAQ30140		CEAQ32140		140				
CEAQ30160		CEAQ32160		160				
CEAQ30180		CEAQ32180		180				
CEAQ30200		CEAQ32200		200				
CEAQ30224		CEAQ32224		224				
CEAQ30250		CEAQ32250		250				
CEAQ30280		CEAQ32280		280				
CEAQ30315		CEAQ32315		315				
CEAQ38125	38	CEAQ40125	40	125	37	50	M8	30,5
CEAQ38140		CEAQ40140		140				
CEAQ38160		CEAQ40160		160				
CEAQ38180		CEAQ40180		180				
CEAQ38200		CEAQ40200		200				
CEAQ38224		CEAQ40224		224				
CEAQ38250		CEAQ40250		250				
CEAQ38280		CEAQ40280		280				
CEAQ38315		CEAQ40315		315				
CEAQ38355		CEAQ40355		355				



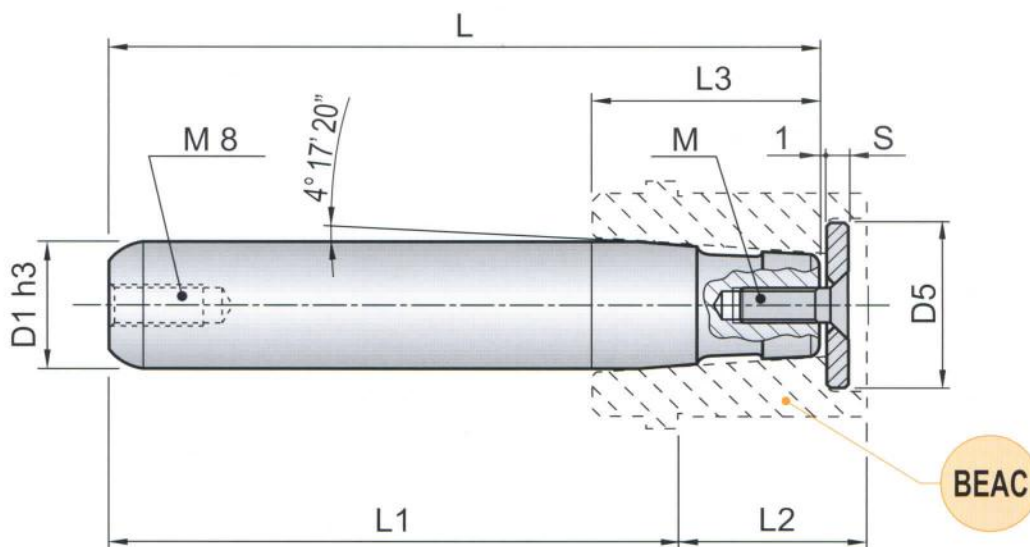
**DIN 9825 / ~ ISO 9182-5**

Material: 1.7131 - Hardness: 61±63 HRC

Code	D1	Code	D1	L1	L2	D3	M	R	
CEAQ48140	48	CEAQ50140	50	140	47	63	M8	37	
CEAQ48160		CEAQ50160		160					
CEAQ48180		CEAQ50180		180					
CEAQ48200		CEAQ50200		200					
CEAQ48224		CEAQ50224		224					
CEAQ48250		CEAQ50250		250					
CEAQ48280		CEAQ50280		280					
CEAQ48315		CEAQ50315		315					
CEAQ48355		CEAQ50355		355					
CEAQ48400		CEAQ50400		400					
CEAQ60160	60	CEAQ63160	63	160	47	80	M8	45,5	
CEAQ60180		CEAQ63180		180					
CEAQ60200		CEAQ63200		200					
CEAQ60224		CEAQ63224		224					
CEAQ60250		CEAQ63250		250					
CEAQ60280		CEAQ63280		280					
CEAQ60315		CEAQ63315		315					
CEAQ60355		CEAQ63355		355					
CEAQ60400		CEAQ63400		400					
				CEAQ80200					
		CEAQ80224	224						
		CEAQ80250	250						
		CEAQ80280	280						
		CEAQ80315	315						
		CEAQ80355	355						
		CEAQ80400	400						

DIN 9825 / ISO 9182-4

Material: 1.7131 - Hardness: 61÷63 HRC



Code	D1	Code	D1	L1	L3	L	M	S	D5
C5A24100	24	C5A25100	25	100	35	123	M 8x20	3	25
C5A24112		C5A25112		112		135			
C5A24125		C5A25125		125		148			
C5A24140		C5A25140		140		163			
C5A24160		C5A25160		160		183			
C5A24180		C5A25180		180		203			
C5A24200		C5A25200		200		223			
C5A24224		C5A25224		224		247			
C5A24250		C5A25250		250		273			
C5A30112		30		C5A32112		32			
C5A30125	C5A32125		125	158					
C5A30140	C5A32140		140	173					
C5A30160	C5A32160		160	193					
C5A30180	C5A32180		180	213					
C5A30200	C5A32200		200	233					
C5A30224	C5A32224		224	257					
C5A30250	C5A32250		250	283					
C5A30280	C5A32280		280	313					
C5A38125	38		C5A40125	40	125		48	158	M 8x20
C5A38140		C5A40140	140		173				
C5A38160		C5A40160	160		193				
C5A38180		C5A40180	180		213				
C5A38200		C5A40200	200		233				
C5A38224		C5A40224	224		257				
C5A38250		C5A40250	250		283				
C5A38280		C5A40280	280		313				
C5A38315		C5A40315	315		348				

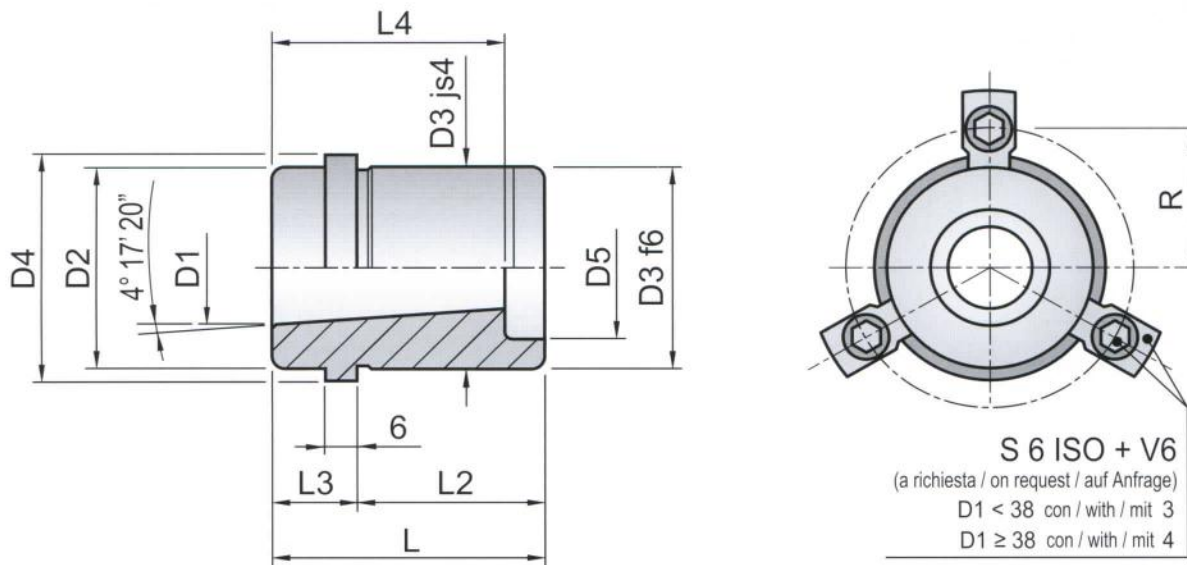
**DIN 9825 / ISO 9182-4**

Material: 1.7131 - Hardness: 61±63 HRC

Code	D1	Code	D1	L1	L3	L	M	S	D5						
C5A48140	48	C5A50140	50	140	58	180	M 10x20	5	50						
C5A48160		C5A50160		160		200									
C5A48180		C5A50180		180		220									
C5A48200		C5A50200		200		240									
C5A48224		C5A50224		224		264									
C5A48250		C5A50250		250		290									
C5A48280		C5A50280		280		320									
C5A48315		C5A50315		315		355									
C5A48355		C5A50355		355		395									
C5A60160		60		C5A63160		63				160	69	211	M 12x30	6	63
C5A60180				C5A63180						180		231			
C5A60200				C5A63200						200		251			
C5A60224				C5A63224						224		275			
C5A60250				C5A63250						250		301			
C5A60280	C5A63280		280	331											
C5A60315	C5A63315		315	366											
C5A60355	C5A63355		355	406											

**DIN 9825 / ISO 9182-4**

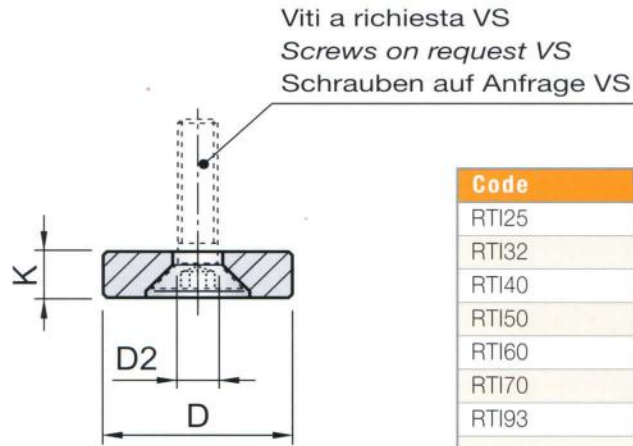
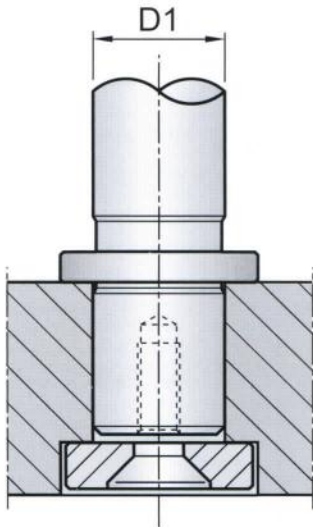
Material: 1.7131 - Hardness: 61±63 HRC



Code	D1	L	D2	D3	D4	D5	R	L2	L3	L4
BEAC2437	24	49	40	40	48	26	30	37	12	36
BEAC2447	24	59	40	40	48	26	30	47	12	36
BEAC2537	25	49	40	40	48	26	30	37	12	36
BEAC2547	25	59	40	40	48	26	30	47	12	36
BEAC3037	30	52	48	48	56	33	33,5	37	15	49
BEAC3047	30	62	48	48	56	33	33,5	47	15	49
BEAC3237	32	52	48	48	56	33	33,5	37	15	49
BEAC3247	32	62	48	48	56	33	33,5	47	15	49
BEAC3847	38	62	58	58	66	41	38,5	47	15	49
BEAC3860	38	75	58	58	66	41	38,5	60	15	49

Code	D1	L	D2	D3	D4	D5	R	L2	L3	L4
BEAC4047	40	62	58	58	66	41	38,5	47	15	49
BEAC4060	40	75	58	58	66	41	38,5	60	15	49
BEAC4847	48	65	70	70	80	51	45,5	47	18	59
BEAC4860	48	78	70	70	80	51	45,5	60	18	59
BEAC5047	50	65	70	70	80	51	45,5	47	18	59
BEAC5060	50	78	70	70	80	51	45,5	60	18	59
BEAC6060	60	78	85	85	95	64	53	60	18	70
BEAC6077	60	95	85	85	95	64	53	77	18	70
BEAC6377	63	78	85	85	95	64	53	60	18	70
BEAC6377	63	95	85	85	95	64	53	77	18	70

Staffette e viti a richiesta / Clamps and screws on request / Haltestücke und Schrauben auf Anfrage

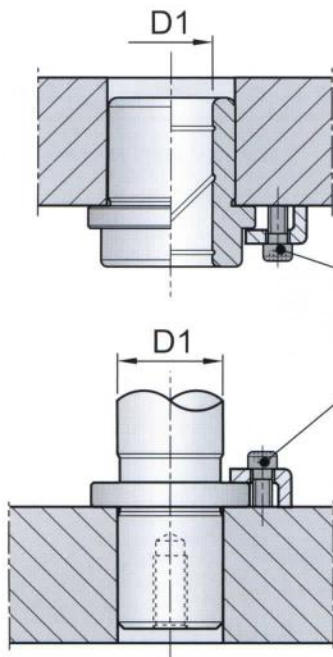


Code	D1	D	K	D2
RTI25	19-20	25	6	8,5
RTI32	24-25	32	6	8,5
RTI40	30-32	40	6	8,5
RTI50	38-40	50	6	8,5
RTI60	48-50	60	6	8,5
RTI70	60-63	70	6	8,5
RTI93	80	93	12	12,5

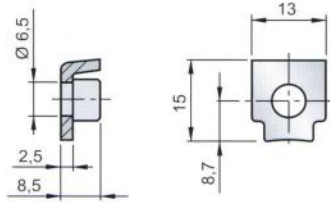
**VANZO**

P.I. 1ère Avenue 267  
B 4040 HERSTAL  
Tél: +32 (0)4 240 69 99

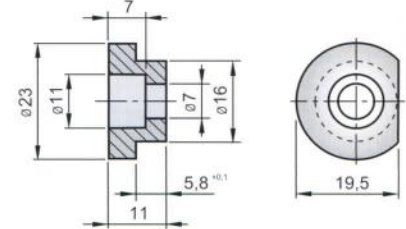
STAFFETTE DI RITEGNO  
RETAINING CLAMPS  
HALTESTÜCKE



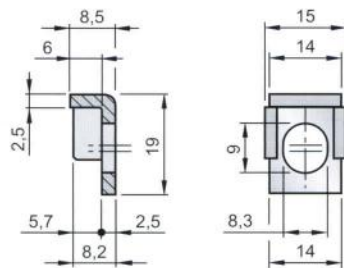
S 6 ISO



S 23 ISO

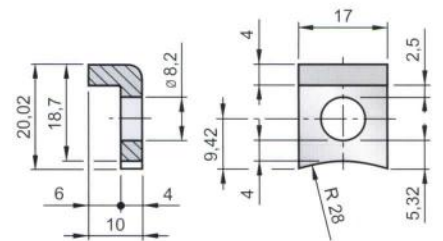


S 8 ISO



S 8 P ISO

Staffetta Pesante ISO  
Stronger Retaining Clamps ISO  
Haltestücke in schwerer Ausführung ISO



Viti a richiesta / Screws on request / Schrauben auf Anfrage

**VANZO**

P.I. 1ère Avenue 267  
B 4040 HERSTAL  
Tél: +32 (0)4 240 69 99

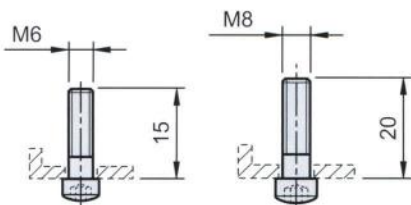
VITI PER STAFFETTE  
SCREWS FOR CLAMPS  
SCHRAUBE



VITI PER RONDELLA  
SCREWS FOR WASHERS  
SCHRAUBE FÜR HALTESCHEIBE



ISO 7380



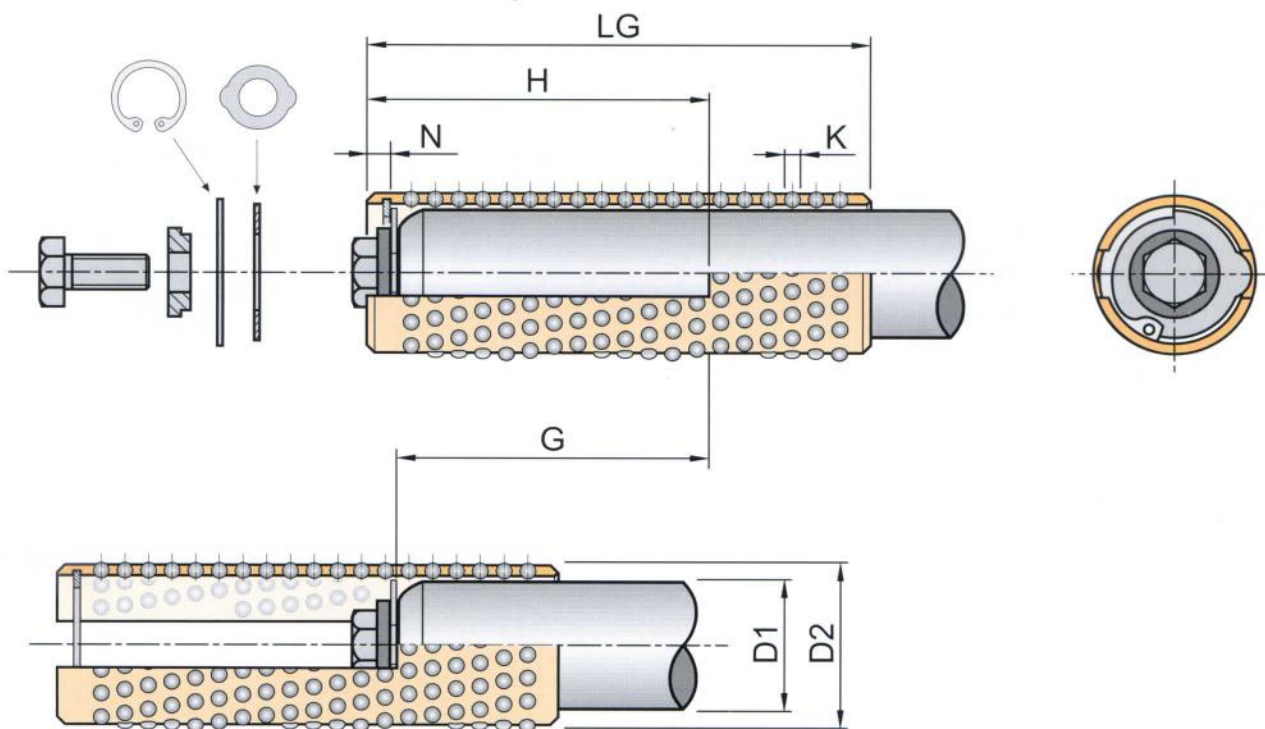
Code	M
V615	M 6 x 15
V820	M 8 x 20

DIN 7991 / ISO 10642



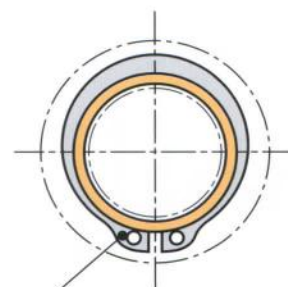
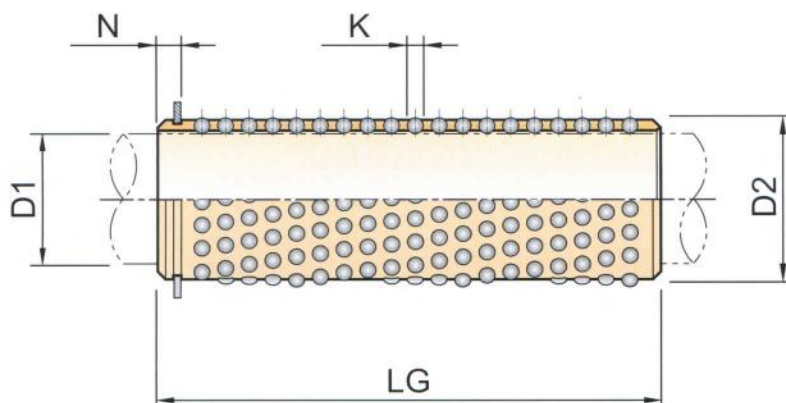
Code	M
VS820	M 8 x 20
VS1020	M 10 x 20
VS1230	M 12 x 30

Material: Brass - Hardened Steel (DIN 5401)



Code	D1	D2	Code	D1	D2	LG	H	G	K	N
GSAB1956	19	25	GSAB2056	20	26	56	31	26,9	3	2,6
GSAB1972			GSAB2072			72	41	36,9		
GSAB1980			GSAB2080			80	51	46,9		
GSAB2456	24	30	GSAB2556	25	31	56	31	26,9	3	2,6
GSAB2472			GSAB2572			72	41	36,9		
GSAB2480			GSAB2580			80	51	46,9		
GSAB3070	30	38	GSAB3270	32	40	70	41	36,9	4	2,6
GSAB3080			GSAB3280			80	51	46,9		
GSAB3095			GSAB3295			95	61	56,9		
GSAB30105			GSAB32105			105	61	56,9		
GSAB3880	38	46	GSAB4080	40	48	80	51	45,5	4	3,5
GSAB3895			GSAB4095			95	61	55,5		
GSAB38105			GSAB40105			105	61	55,5		
GSAB38120			GSAB40120			120	73	67,5		
GSAB4880			48			56	GSAB5080	50		
GSAB4895	GSAB5095	95		61	54,7					
GSAB48105	GSAB50105	105		61	54,7					
GSAB48120	GSAB50120	120		73	66,7					
GSAB6095	60	68		GSAB6395	63		71		95	61
GSAB60120			GSAB63120	120		73		66,7		
GSAB60140			GSAB63140	140		83		76,7		
			GSAB8095	95		61		54	6	5
	GSAB80120	120	73	66						
	GSAB80140	140	83	76						

Material: Brass - Hardened Steel (DIN 5401)



SEEGER (DIN 471) compreso  
CIRCLIP GROOVE (DIN 471) included  
SICHERUNGSRING (DIN 471) enthalten

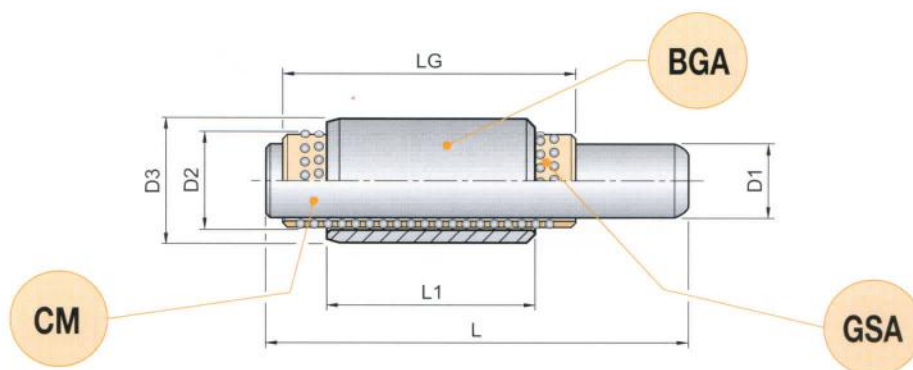
Code	D1	D2	Code	D1	D2	LG	K	BALLS	N
			GSA1240	12	16	40	2	176	2,20
			GSA1256			56		272	
			GSA1845	18	24	45	3	180	2,90
			GSA1856			56		240	
			GSA1871			71		320	
GSA1945	19	25	GSA2045	20	26	45	3	180	2,90
GSA1956			GSA2056			56		240	
GSA1971			GSA2071			71		320	
GSA1980			GSA2080			80		360	
GSA1995			GSA2095			95		440	
GSA2440	24	30	GSA2540	25	31	40	3	160	3,20
GSA2445			GSA2545			45		180	
GSA2456			GSA2556			56		240	
GSA2471			GSA2571			71		320	
GSA2480			GSA2580			80		360	
GSA2495			GSA2595			95		440	
GSA24120			GSA25120			120		560	
GSA3040	30	38	GSA3240	32	40	40	4	120	3,95
GSA3045			GSA3245			45		140	
GSA3050			GSA3250			50		160	
GSA3056			GSA3256			56		180	
GSA3071			GSA3271			71		240	
GSA3075			GSA3275			75		260	
GSA3080			GSA3280			80		280	
GSA3095			GSA3295			95		340	
GSA30105			GSA32105			105		380	
GSA30120			GSA32120			120		440	
GSA30140			GSA32140			140		520	
GSA30160			GSA32160			160		600	
GSA3845	38	46	GSA4045	40	48	45	4	168	3,95
GSA3850			GSA4050			50		192	
GSA3856			GSA4056			56		216	
GSA3863			GSA4063			63		264	
GSA3880			GSA4080			80		336	
GSA3895			GSA4095			95		408	
GSA38105			GSA40105			105		456	
GSA38120			GSA40120			120		528	
GSA38140			GSA40140			140		624	

Material: Brass - Hardened Steel (DIN 5401)

Code	D1	D2	Code	D1	D2	LG	K	BALLS	N						
GSA38160	38	46	GSA40160	40	48	160	4	720	3,95						
GSA38180			GSA40180			180		816							
GSA38200			GSA40200			200		912							
GSA38240			GSA40240			240		1104							
GSA4850	48	56	GSA5050	50	58	50	4	224	4,25						
GSA4863			GSA5063			63		308							
GSA4880			GSA5080			80		392							
GSA4895			GSA5095			95		476							
GSA48105			GSA50105			105		532							
GSA48120			GSA50120			120		616							
GSA48140			GSA50140			140		728							
GSA48160			GSA50160			160		840							
GSA48180			GSA50180			180		952							
GSA48200			GSA50200			200		1064							
GSA48240			GSA50240			240		1288							
GSA6095			60			68		GSA6395		63	71	95	4	544	4,75
GSA60105								GSA63105				105		608	
GSA60120								GSA63120				120		704	
GSA60140	GSA63140	140		832											
GSA60160	GSA63160	160		960											
GSA60180	GSA63180	180		1088											
GSA60200	GSA63200	200		1216											
GSA60240	GSA63240	240		1472											
				GSA80120	80		92	120	6			540		6,15	
				GSA80140				140				648			
			GSA80160	160		756									
			GSA80180	180		864									
			GSA80200	200		972									
			GSA80240	240		1152									







**CM**

COLONNA  
PILLAR  
FÜHRUNGSSÄULEN

Material: 100 Cr 6  
Hardness: 60+64 HRC

**GSA**

GABBIA A SFERA  
BALL CAGE  
KUGELKÄFIGE

Material: Brass  
Hardened Steel (DIN 5401)

**BGA**

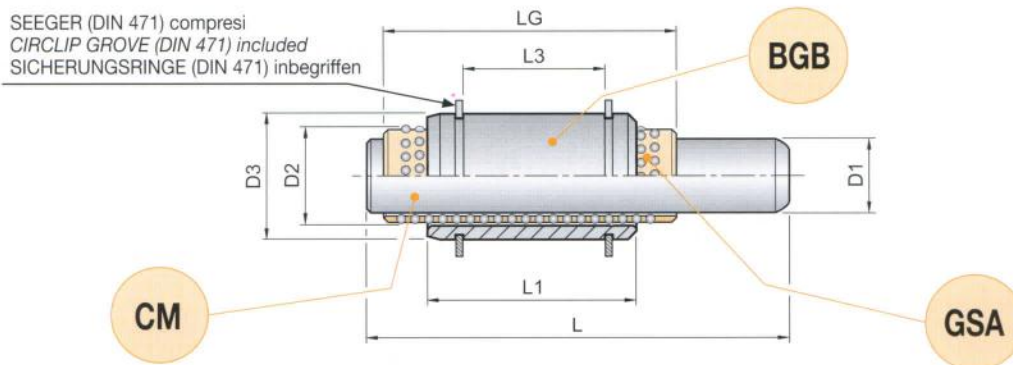
BUSSOLE  
BUSH  
FÜHRUNGSBUCHSEN

Material: 100 Cr 6  
Hardness: 60+64 HRC

Code	D1	L
CM330	3	30
CM3x		x
CM3x		x
CM3x		x
CM360		60
CM430	4	30
CM4x		x
CM4x		x
CM4x		x
CM460		60
CM540	5	40
CM5x		x
CM5x		x
CM5x		x
CM580		80
CM640	6	40
CM6x		x
CM6x		x
CM6x		x
CM6x		x
CM6x		x
CM680		80
CM850	8	50
CM8x		x
CM8x		x
CM8x		x
CM8x		x
CM8x		x
CM8100		100
CM1060	10	60
CM10x		x
CM10x		x
CM10x		x
CM10x		x
CM10x		x
CM10120		120
CM1260	12	60
CM12x		x
CM12x		x
CM12x		x
CM12120		120

Code	D1	LG	D2
GSA310	3	10	5
GSA315		15	
GSA320		20	
GSA410	4	10	6
GSA415		15	
GSA420		20	
GSA510	5	10	7
GSA515		15	
GSA520		20	
GSA525		25	
GSA610	6	10	8
GSA615		15	
GSA620		20	
GSA625		25	
GSA630		30	
GSA810	8	10	10
GSA815		15	
GSA820		20	
GSA825		25	
GSA830		30	
GSA1015	10	15	12
GSA1020		20	
GSA1025		25	
GSA1030		30	
GSA1220	12	20	14
GSA1225		25	
GSA1230		30	
GSA1240		40	

Code	D2	L1	D3
BGA510	5	10	7
BGA515		15	
BGA520		20	
BGA525		25	
BGA530		30	
BGA610	6	10	8
BGA615		15	
BGA620		20	
BGA625		25	
BGA630		30	
BGA710	7	10	10
BGA715		15	
BGA720		20	
BGA725		25	
BGA730		30	
BGA810	8	10	11
BGA815		15	
BGA820		20	
BGA825		25	
BGA830		30	
BGA835		35	
BGA840		40	
BGA1010	10	10	14
BGA1015		15	
BGA1020		20	
BGA1025		25	
BGA1030		30	
BGA1035		35	
BGA1040		40	
BGA1210	12	10	18
BGA1215		15	
BGA1220		20	
BGA1225		25	
BGA1230		30	
BGA1235		35	
BGA1240		40	
BGA1420	14	20	20
BGA1425		25	
BGA1430		30	
BGA1435		35	
BGA1440		40	



**CM**

COLONNA  
PILLAR  
FÜHRUNGSSÄULEN

Material: 100 Cr 6  
Hardness: 60±64 HRC

**GSA**

GABBIA A SFERA  
BALL CAGE  
KUGELKÄFIGE

Material: Brass  
Hardened Steel (DIN 5401)

**BGB**

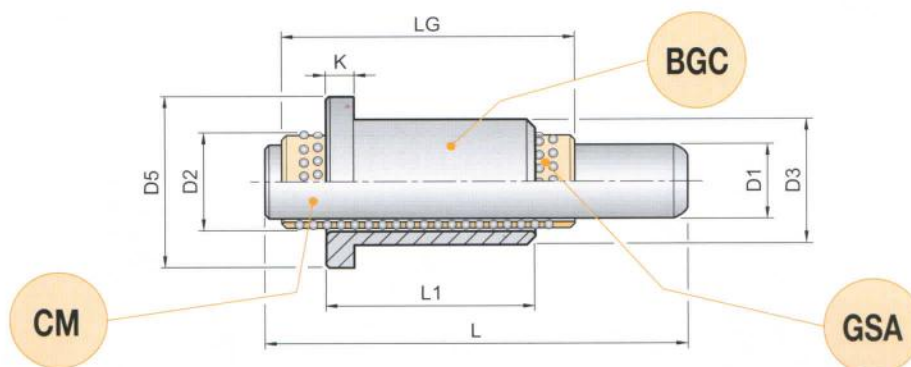
BUSSOLA  
BUSH  
FÜHRUNGSBUCHSEN

Material: 100 Cr 6  
Hardness: 60±64 HRC

Code	D1	L
CM330	3	30
CM3X		x
CM3X		x
CM360		60
CM430	4	30
CM4X		x
CM4X		x
CM460		60
CM540	5	40
CM5x		x
CM5x		x
CM5x		x
CM580		80
CM640	6	40
CM6x		x
CM6x		x
CM6x		x
CM6x		x
CM6x		x
CM680		80
CM850	8	50
CM8x		x
CM8x		x
CM8x		x
CM8x		x
CM8x		x
CM8100		100
CM1060	10	60
CM10x		x
CM10x		x
CM10x		x
CM10x		x
CM10120		120
CM1260	12	60
CM12x		x
CM12x		x
CM12x		x
CM12120		120

Code	D1	LG	D2
GSA310	3	10	5
GSA315		15	
GSA320		20	
GSA410	4	10	6
GSA415		15	
GSA420		20	
GSA510	5	10	7
GSA515		15	
GSA520		20	
GSA525		25	
GSA610	6	10	8
GSA615		15	
GSA620		20	
GSA625		25	
GSA630		30	
GSA810	8	10	10
GSA815		15	
GSA820		20	
GSA825		25	
GSA830		30	
GSA1015	10	15	12
GSA1020		20	
GSA1025		25	
GSA1030		30	
GSA1220	12	20	14
GSA1225		25	
GSA1230		30	
GSA1240		40	

Code	D2	L1	L3	D3
BGB510	5	10		7
BGB520		20		
BGB530		30		
BGB610	6	10		8
BGB620		20		
BGB630		30		
BGB720	7	20	10	10
BGB730		30	20	
BGB820	8	20	10	11
BGB830		30	20	
BGB840		40	30	
BGB1020	10	20	10	12
BGB1030		30	20	
BGB1040		40	30	
BGB1230	12	30	20	16
BGB1240		40	30	
BGB1250		50	40	
BGB1430	14	30	20	18
BGB1440		40	30	
BGB1450		50	40	



**CM**

COLONNA  
 PILLAR  
 FÜHRUNGSSÄULEN

**GSA**

Material: 100 Cr 6  
 Hardness: 60-64 HRC  
 GABBIA A SFERA  
 BALL CAGE  
 KUGELKÄFIGE

**BGC**

Material: 100 Cr 6  
 Hardened Steel (DIN 5401)  
 BUSSOLE  
 BUSH  
 FÜHRUNGSBUCHSEN

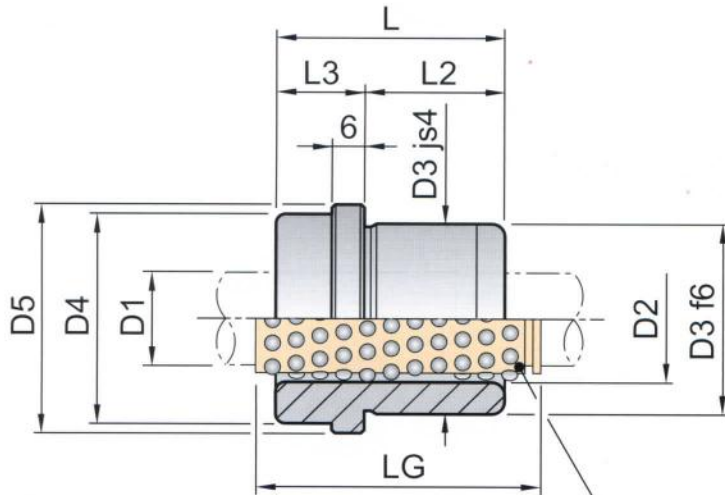
Code	D1	L
CM330	3	30
CM3x		x
CM3x		x
CM3x		x
CM360		60
CM430	4	30
CM4x		x
CM4x		x
CM4x		x
CM460		60
CM540	5	40
CM5x		x
CM5x		x
CM5x		x
CM580		80
CM640	6	40
CM6x		x
CM6x		x
CM6x		x
CM6x		x
CM6x		x
CM680		80
CM850	8	50
CM8x		x
CM8x		x
CM8x		x
CM8x		x
CM8100		100
CM1060	10	60
CM10x		x
CM10x		x
CM10x		x
CM10x		x
CM10120		120
CM1260	12	60
CM12x		x
CM12x		x
CM12x		x
CM12120		120

Code	D1	LG	D2
GSA310	3	10	5
GSA315		15	
GSA320		20	
GSA410	4	10	6
GSA415		15	
GSA420		20	
GSA510	5	10	7
GSA515		15	
GSA520		20	
GSA525		25	
GSA610	6	10	8
GSA615		15	
GSA620		20	
GSA625		25	
GSA630		30	
GSA810	8	10	10
GSA815		15	
GSA820		20	
GSA825		25	
GSA830		30	
GSA1015	10	15	12
GSA1020		20	
GSA1025		25	
GSA1030		30	
GSA1220	12	20	14
GSA1225		25	
GSA1230		30	
GSA1240		40	

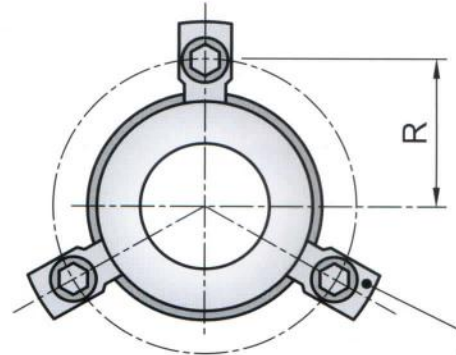
Code	D2	L1	K	D3	D5
BGC510	5	10	2,5	7	9
BGC520		20			
BGC530		30			
BGC610	6	10	3	8	10
BGC620		20			
BGC630		30			
BGC710	7	10	3	10	12
BGC720		20			
BGC730		30			
BGC820	8	20	4	11	13
BGC830		30			
BGC840		40			
BGC1020	10	20	4	12	14
BGC1030		30			
BGC1040		40			
BGC1230	12	30	4	16	18
BGC1240		40			
BGC1250		50			
BGC1430	14	30	4	18	20
BGC1440		40			
BGC1450		50			

ISO 9448-7

Material: 1.7131 - Hardness: 61±63 HRC



da ordinare separatamente: GABBIA A SFERE GSA  
to be ordered separately: BALL CAGES GSA  
extra bestellen: KUGELKÄFIGE GSA



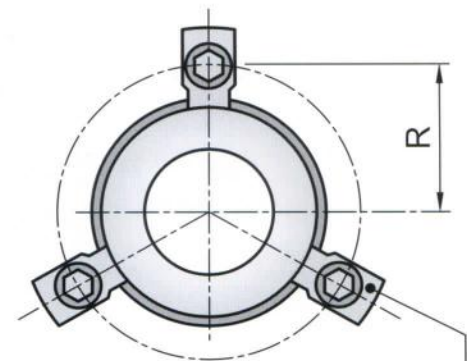
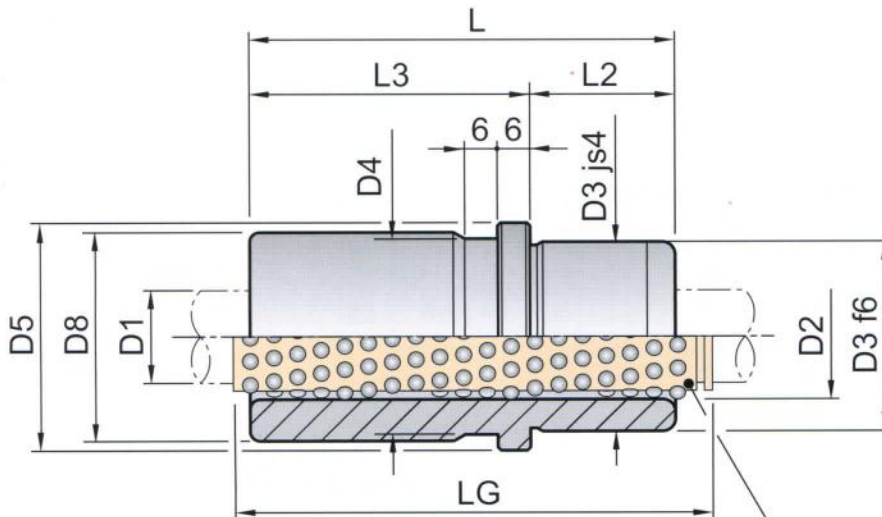
**S 6 ISO + V6**  
(a richiesta / on request / auf Anfrage)  
D1 < 38 con / with / mit 3  
D1 ≥ 38 con / with / mit 4

**BEAG-7**

Code	D1	D2	D3	D4	D5	R	L	L2	L3	LG
BEAG19-7	19	25	32	32	40	26	35	23	12	45
BEAG20-7	20	26	32	32	40	26	35	23	12	45
BEAG24-7	24	30	40	40	48	30	35	23	12	45
BEAG25-7	25	31	40	40	48	30	35	23	12	45
BEAG30-7	30	38	48	48	56	33,5	42	30	12	56
BEAG32-7	32	40	48	48	56	33,5	42	30	12	56
BEAG38-7	38	46	58	58	66	38,5	52	37	15	63
BEAG40-7	40	48	58	58	66	38,5	52	37	15	63
BEAG48-7	48	56	70	70	80	45,5	65	47	18	80
BEAG50-7	50	58	70	70	80	45,5	65	47	18	80
BEAG60-7	60	68	85	85	95	53	80	60	20	95
BEAG63-7	63	71	85	85	95	53	80	60	20	95
BEAG80-7	80	92	105	105	118	64,5	80	60	20	120

ISO 9448-7

Material: 1.7131 - Hardness: 61±63 HRC



da ordinare separatamente: GABBIA A SFERE GSA  
to be ordered separately: BALL CAGES GSA  
extra bestellen: KUGELKÄFIGE GSA

**S 6 ISO + V6**  
(a richiesta / on request / auf Anfrage)  
D1 < 38 con / with / mit 3  
D1 ≥ 38 con / with / mit 4

BEAG-4											
Code	D1	D2	D3	D4	D5	D8	R	L	L2	L3	LG
BEAG19-4	19	25	32	32	40	40	26	59	23	36	71
BEAG20-4	20	26	32	32	40	40	26	59	23	36	71
BEAG24-4	24	30	40	40	48	48	30	79	23	56	95
BEAG25-4	25	31	40	40	48	48	30	79	23	56	95
BEAG30-4	30	38	48	48	56	56	33,5	93	30	63	120
BEAG32-4	32	40	48	48	56	56	33,5	93	30	63	120
BEAG38-4	38	46	58	58	66	66	38,5	108	37	71	120
BEAG40-4	40	48	58	58	66	66	38,5	108	37	71	120
BEAG48-4	48	56	70	70	80	80	45,5	127	47	80	140
BEAG50-4	50	58	70	70	80	80	45,5	127	47	80	140
BEAG60-4	60	68	85	85	95	95	53	150	60	90	160
BEAG63-4	63	71	85	85	95	95	53	150	60	90	160
BEAG80-4	80	92	105	105	118	118	64,5	150	60	90	160

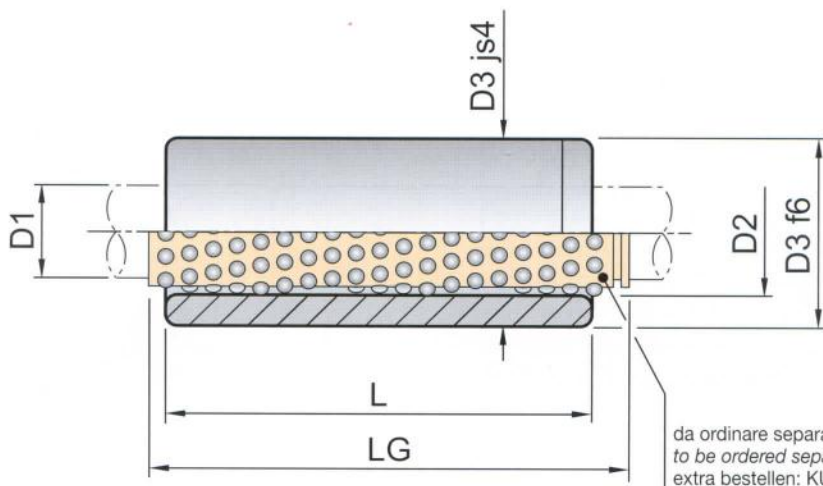
BEAG-5											
Code	D1	D2	D3	D4	D5	D8	R	L	L2	L3	LG
BEAG24-5	24	30	40	40	48	46	30	80	30	50	95
BEAG25-5	25	31	40	40	48	46	30	80	30	50	95
BEAG30-5	30	38	48	48	56	53	33,5	93	37	56	120
BEAG32-5	32	40	48	48	56	53	33,5	93	37	56	120
BEAG38-5	38	46	58	58	66	63	38,5	110	47	63	140
BEAG40-5	40	48	58	58	66	63	38,5	110	47	63	140
BEAG48-5	48	56	70	70	80	77	45,5	131	60	71	160
BEAG50-5	50	58	70	70	80	77	45,5	131	60	71	160

BEAG-6											
Code	D1	D2	D3	D4	D5	D8	R	L	L2	L3	LG
BEAG19-6	19	25	32	32	40	39	26	43	23	20	56
BEAG20-6	20	26	32	32	40	39	26	43	23	20	56
BEAG24-6	24	30	40	40	48	46	30	59	23	36	71
BEAG25-6	25	31	40	40	48	46	30	59	23	36	71
BEAG30-6	30	38	48	48	56	53	33,5	75	30	45	95
BEAG32-6	32	40	48	48	56	53	33,5	75	30	45	95
BEAG38-6	38	46	58	58	66	63	38,5	82	37	45	105
BEAG40-6	40	48	58	58	66	63	38,5	82	37	45	105
BEAG48-6	48	56	70	70	80	77	45,5	97	47	50	120
BEAG50-6	50	58	70	70	80	77	45,5	97	47	50	120
BEAG60-6	60	68	85	85	95	92	53	116	60	56	140
BEAG63-6	63	71	85	85	95	92	53	116	60	56	140
BEAG80-6	80	92	105	105	118	115	64,5	120	60	60	140

BEAG-9											
Code	D1	D2	D3	D4	D5	D8	R	L	L2	L3	LG
BEAG24-9	24	30	40	40	48	46	30	55	30	25	71
BEAG25-9	25	31	40	40	48	46	30	55	30	25	71
BEAG30-9	30	38	48	48	56	53	33,5	69	37	32	80
BEAG32-9	32	40	48	48	56	53	33,5	69	37	32	80
BEAG38-9	38	46	58	58	66	63	38,5	79	47	32	95
BEAG40-9	40	48	58	58	66	63	38,5	79	47	32	95
BEAG48-9	48	56	70	70	80	77	45,5	96	60	36	120
BEAG50-9	50	58	70	70	80	77	45,5	96	60	36	120

ISO 9448-3

Material: 1.7131 - Hardness: 61±63 HRC

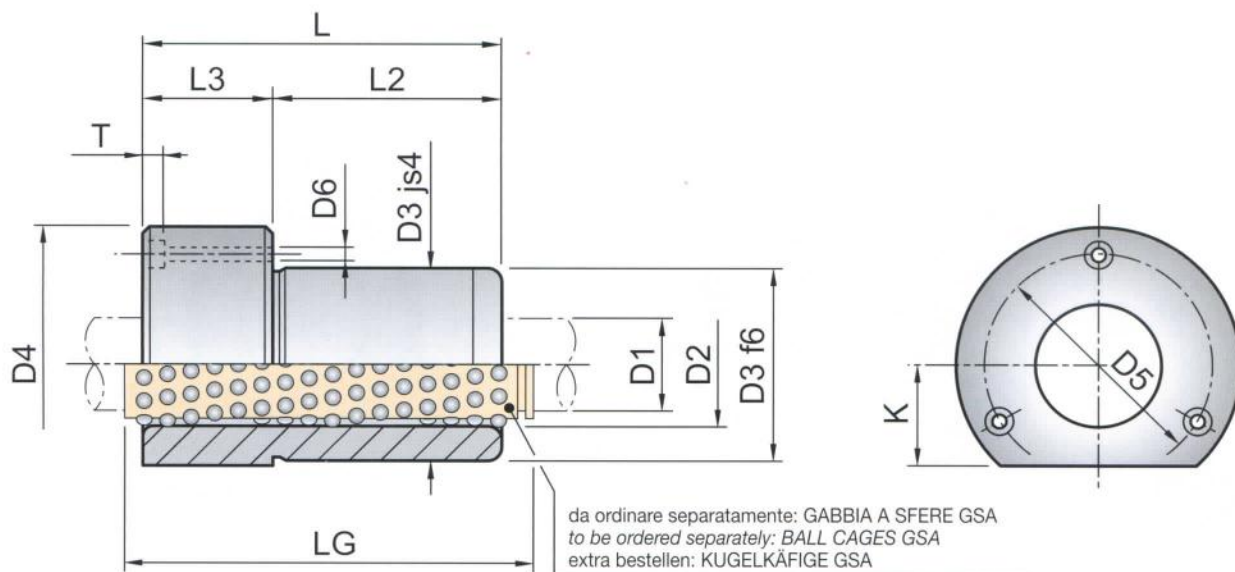


da ordinare separatamente: GABBIA A SFERE GSA  
 to be ordered separately: BALL CAGES GSA  
 extra bestellen: KUGELKÄFIGE GSA

Code	D1	L	LG	D2	D3	Code	D1	L	LG	D2	D3			
BLAG1923	19	23	45	25	32	BLAG3830	38	30	45	46	58			
BLAG1930		30	45											
BLAG1937		37	45											
BLAG1947		47	56											
BLAG1960		60	71											
BLAG1977		77	95											
BLAG2023	20	23	45	26	32	BLAG3837	40	37	50					
BLAG2030		30	45											
BLAG2037		37	45											
BLAG2047		47	56											
BLAG2060		60	71											
BLAG2077		77	95											
BLAG2423	24	23	45	30	40	BLAG3847	48	47	63					
BLAG2430		30	45											
BLAG2437		37	45											
BLAG2447		47	56											
BLAG2460		60	71											
BLAG2477		77	95											
BLAG2523	25	23	45	31	40	BLAG3860	56	60	80					
BLAG2530		30	45											
BLAG2537		37	45											
BLAG2547		47	56											
BLAG2560		60	71											
BLAG2577		77	95											
BLAG3030	30	30	45	38	48	BLAG3877	70	77	95					
BLAG3037		37	50											
BLAG3047		47	56											
BLAG3060		60	71											
BLAG3077		77	95											
BLAG3095		95	120											
BLAG3230	32	30	45	40	48	BLAG3895	85	95	120					
BLAG3237		37	50											
BLAG3247		47	56											
BLAG3260		60	71											
BLAG3277		77	95											
BLAG3295		95	120											
						BLAG38120		120	140					
						BLAG4030	60	30	45	68	85			
						BLAG4037		37	50					
						BLAG4047		47	63					
						BLAG4060		60	80					
						BLAG4077		77	95					
						BLAG4095		95	120					
						BLAG40120		120	140					
						BLAG4837	63	37	50	71	85			
						BLAG4847		47	63					
						BLAG4860		60	80					
						BLAG4877		77	95					
						BLAG4895		95	120					
						BLAG48120			120			140		
						BLAG5037	80	37	50	92	105			
						BLAG5047		47	63					
						BLAG5060		60	80					
						BLAG5077		77	95					
						BLAG5095		95	120					
						BLAG50120			120			140		
						BLAG6060		60	95					
						BLAG6077		77	95					
						BLAG6095		95	120					
						BLAG60120		120	140					
						BLAG6360			60			95		
						BLAG6377			77			95		
						BLAG6395	95		120					
						BLAG63120	120		140					
						BLAG80120			120	140				

DIN 9831 / ISO 9448-5

Material: 1.7131 - Hardness: 61-63 HRC



B5AG-4										
Code	D1	D2	D3	D4	D5	K	L	L2	L3	LG
B5AG19-4	19	25	32	50	40	18	52	37	15	71
B5AG20-4	20	26	32	50	40	18	52	37	15	71
B5AG24-4	24	30	40	63	50	23	62	37	25	71
B5AG25-4	25	31	40	63	50	23	62	37	25	71
B5AG30-4	30	38	48	72	58	28	72	47	25	80
B5AG32-4	32	40	48	72	58	28	72	47	25	80
B5AG38-4	38	46	58	85	70	33	77	47	30	95
B5AG40-4	40	48	58	85	70	33	77	47	30	95
B5AG48-4	48	56	70	104	86	38	102	60	42	120
B5AG50-4	50	58	70	104	86	38	102	60	42	120
B5AG60-4	60	68	85	120	100	46	102	60	42	120
B5AG63-4	63	71	85	120	100	46	102	60	42	120
B5AG80-4	80	92	105	148	125	56	125	75	50	140

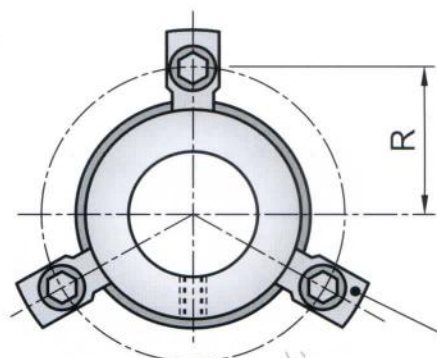
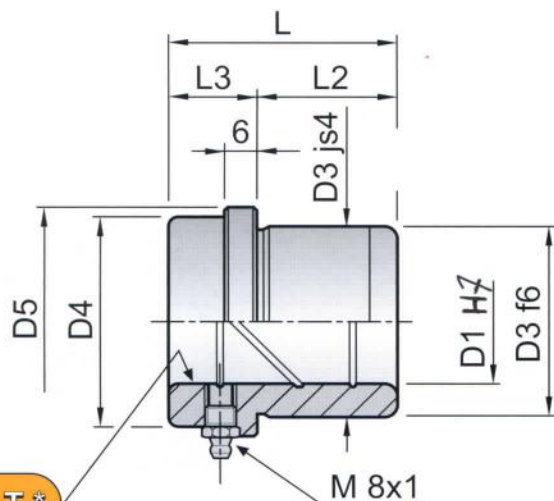
B5AG-5										
Code	D1	D2	D3	D4	D5	K	L	L2	L3	LG
B5AG19-5	19	25	32	50	40	18	45	30	15	56
B5AG20-5	20	26	32	50	40	18	45	30	15	56
B5AG24-5	24	30	40	63	50	23	55	30	25	71
B5AG25-5	25	31	40	63	50	23	55	30	25	71
B5AG30-5	30	38	48	72	58	28	62	37	25	71
B5AG32-5	32	40	48	72	58	28	62	37	25	71
B5AG38-5	38	46	58	85	70	33	67	37	30	80
B5AG40-5	40	48	58	85	70	33	67	37	30	80
B5AG48-5	48	56	70	104	86	38	89	47	42	95
B5AG50-5	50	58	70	104	86	38	89	47	42	95
B5AG60-5	60	68	85	120	100	46	89	47	42	95
B5AG63-5	63	71	85	120	100	46	89	47	42	95

D1	D6	T
19	4,5	4,6
20	4,5	4,6
24	5,5	5,7
25	5,5	5,7
30	5,5	5,7
32	5,5	5,7
38	6,6	6,8
40	6,6	6,8
48	9	9
50	9	9
60	9	9
63	9	9
80	11	11

B5AG-6										
Code	D1	D2	D3	D4	D5	K	L	L2	L3	LG
B5AG19-6	19	25	32	50	40	18	38	23	15	45
B5AG20-6	20	26	32	50	40	18	38	23	15	45
B5AG24-6	24	30	40	63	50	23	38	23	15	45
B5AG25-6	25	31	40	63	50	23	38	23	15	45
B5AG30-6	30	38	48	72	58	28	45	30	15	56
B5AG32-6	32	40	48	72	58	28	45	30	15	56
B5AG38-6	38	46	58	85	70	33	55	30	25	63
B5AG40-6	40	48	58	85	70	33	55	30	25	63
B5AG48-6	48	56	70	104	86	38	62	37	25	80
B5AG50-6	50	58	70	104	86	38	62	37	25	80

ISO 9448-6

Material: 1.7131 - Hardness: 61±63 HRC



**S 6 ISO + V6**  
(a richiesta / on request / auf Anfrage)  
D1 < 38 con / with / mit 3  
D1 ≥ 38 con / with / mit 4

**BEA-5**

Code	D1	D3	D4	D5	R	L	L2	L3
BEA19-5	19	32	32	40	26	35	23	12
BEA20-5	20	32	32	40	26	35	23	12
BEA24-5	24	40	40	48	30	35	23	12
BEA25-5	25	40	40	48	30	35	23	12
BEA30-5	30	48	48	56	33,5	42	30	12
BEA32-5	32	48	48	56	33,5	42	30	12
BEA38-5	38	58	58	66	38,5	52	37	15
BEA40-5	40	58	58	66	38,5	52	37	15
BEA48-5	48	70	70	80	45,5	65	47	18
BEA50-5	50	70	70	80	45,5	65	47	18
BEA60-5	60	85	85	95	53	80	60	20
BEA63-5	63	85	85	95	53	80	60	20

**Rivestimento ENSCOAT\***

Mediante un trattamento meccanico si creano superficialmente delle microporosità che vengono riempite da polimeri fluorocarbonici. Grazie a questo processo, l'usura superficiale dei polimeri non preclude le caratteristiche del trattamento.

Buone proprietà antigrippanti, basso coefficiente di attrito (0,06) sono sviluppate grazie alla combinazione fluoropolimeri-grafite.

**ENSCOAT\* coating**

By a mechanical treatment, superficially some micropores are forming. This microporosity is filled with fluorocarbon polymers.

Thanks to this process, the surface wear of polymers does not change characteristics of treatment.

Good anti-seized properties and low friction coefficient (0,005-0,2) are developed through the combination of fluoropolymers and graphite.

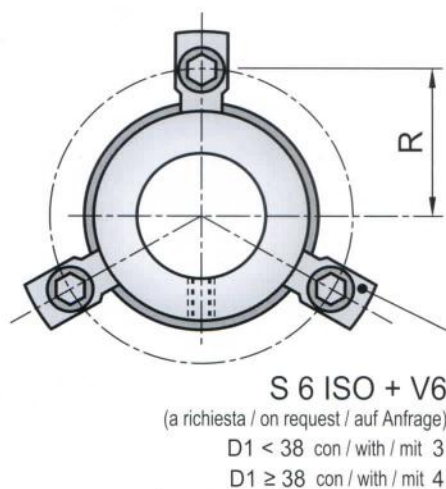
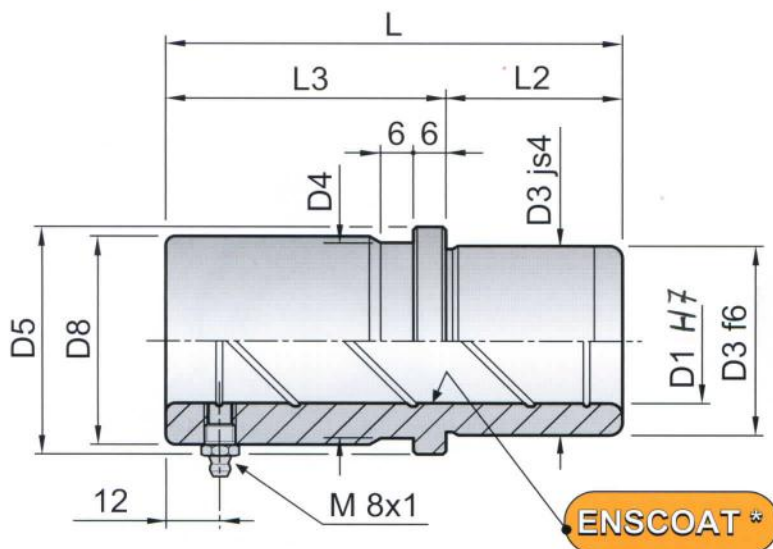
**ENSCOAT\*-Beschichtung**

Die ENSCOAT-Beschichtung ist eine Oberflächenbeschichtung auf Basis von Fluoropolymeren, die auf die Oberfläche der Führungsbuchse aufgetragen wird und in die äußere Schicht des Materials eindringt. Da diese Beschichtung in die Poren des Materials eindringt, gehen auch bei verschleißten Teilen die Gleiteigenschaften nicht verloren. Dank der Kombination Fluoropolymere-Grafit verbindet die ENSCOAT-Beschichtung gute selbstschmierende Eigenschaften und einen niedrigen Reibungskoeffizienten (0,06).



ISO 9448-6

Material: 1.7131 - Hardness: 61÷63 HRC



BEA-4									
Code	D1	D3	D4	D5	D8	R	L	L2	L3
BEA19-4	19	32	32	40	39	26	43	23	20
BEA20-4	20	32	32	40	39	26	43	23	20
BEA24-4	24	40	40	48	46	30	59	23	36
BEA25-4	25	40	40	48	46	30	59	23	36
BEA30-4	30	48	48	56	53	33,5	75	30	45
BEA32-4	32	48	48	56	53	33,5	75	30	45
BEA38-4	38	58	58	66	63	38,5	82	37	45
BEA40-4	40	58	58	66	63	38,5	82	37	45
BEA48-4	48	70	70	80	77	45,5	97	47	50
BEA50-4	50	70	70	80	77	45,5	97	47	50
BEA60-4	60	85	85	95	92	53	116	60	56
BEA63-4	63	85	85	95	92	53	116	60	56

BEA-1									
Code	D1	D3	D4	D5	D8	R	L	L2	L3
BEA19-1	19	32	32	40	39	26	59	23	36
BEA20-1	20	32	32	40	39	26	59	23	36
BEA24-1	24	40	40	48	46	30	79	23	56
BEA25-1	25	40	40	48	46	30	79	23	56
BEA30-1	30	48	48	56	53	33,5	93	30	63
BEA32-1	32	48	48	56	53	33,5	93	30	63
BEA38-1	38	58	58	66	63	38,5	108	37	71
BEA40-1	40	58	58	66	63	38,5	108	37	71
BEA48-1	48	70	70	80	77	45,5	127	47	80
BEA50-1	50	70	70	80	77	45,5	127	47	80
BEA60-1	60	85	85	95	92	53	150	60	90
BEA63-1	63	85	85	95	92	53	150	60	90

**Rivestimento ENSCOAT \***

Mediante un trattamento meccanico si creano superficialmente delle microporosità che vengono riempite da polimeri fluorocarbonici. Grazie a questo processo, l'usura superficiale dei polimeri non preclude le caratteristiche del trattamento.

Buone proprietà antigrippanti, basso coefficiente di attrito (0,06) sono sviluppate grazie alla combinazione fluoropolimeri-grafite.

**ENSCOAT\* coating**

By a mechanical treatment, superficially some micropores are forming. This microporosity is filled with fluorocarbon polymers.

Thanks to this process, the surface wear of polymers does not change characteristics of treatment.

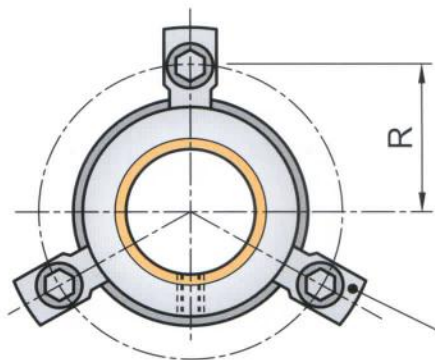
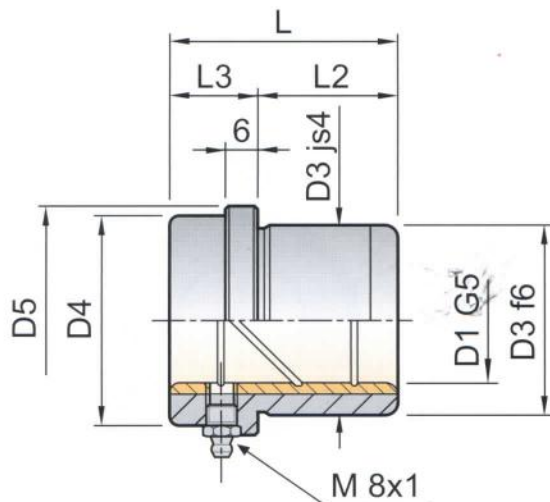
Good anti-seized properties and low friction coefficient (0,005-0,2) are developed through the combination of fluoropolymers and graphite.

**ENSCOAT\*-Beschichtung**

Die ENSCOAT-Beschichtung ist eine Oberflächenbeschichtung auf Basis von Fluoropolymeren, die auf die Oberfläche der Führungsbuchse aufgetragen wird und in die äußere Schicht des Materials eindringt. Da diese Beschichtung in die Poren des Materials eindringt, gehen auch bei verschleißten Teilen die Gleiteigenschaften nicht verloren. Dank der Kombination Fluoropolymere-Grafit verbindet die ENSCOAT-Beschichtung gute selbstschmierende Eigenschaften und einen niedrigen Reibungskoeffizienten (0,06).

ISO 9448

Material: 1.7131 - Hardness: 52÷54 HRC  
 Bronze



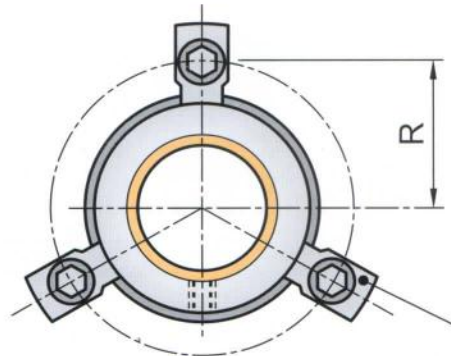
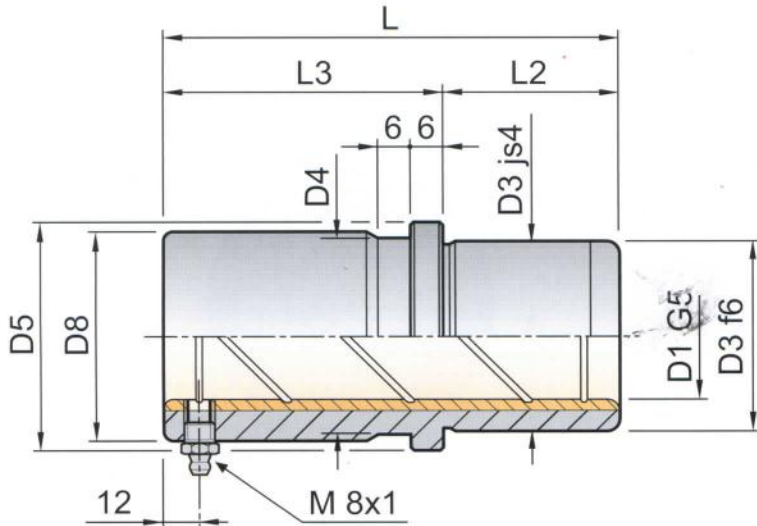
**S 6 ISO + V6**  
 (a richiesta / on request / auf Anfrage)  
 D1 < 38 con / with / mit 3  
 D1 ≥ 38 con / with / mit 4

**BEBA-5**

Code	D1	D3	D4	D5	R	L	L2	L3		
BEBA19-5	19	32	32	40	26	35	23	12		
BEBA20-5	20	32	32	40	26	35	23	12		
BEBA24-5	24	40	40	48	30	35	23	12		
BEBA25-5	25	40	40	48	30	35	23	12		
BEBA30-5	30	48	48	56	33,5	42	30	12		
BEBA32-5	32	48	48	56	33,5	42	30	12		
BEBA38-5	38	58	58	66	38,5	52	37	15		
BEBA40-5	40	58	58	66	38,5	52	37	15		
BEBA48-5	48	70	70	80	45,5	65	47	18		
BEBA50-5	50	70	70	80	45,5	65	47	18		
BEBA60-5	60	85	85	95	53	80	60	20		
BEBA63-5	63	85	85	95	53	80	60	20		
BEBA80-5	80	105	105	118	64,5	80	60	20		

ISO 9448

Material: 1.7131 - Hardness: 52±54 HRC  
Bronze



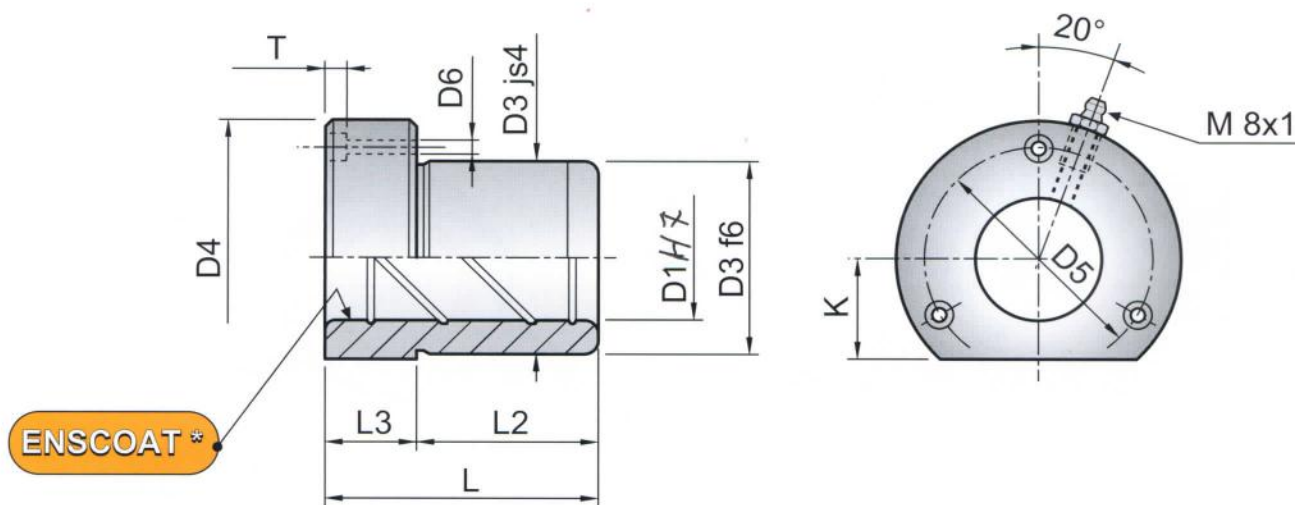
**S 6 ISO + V6**  
(a richiesta / on request / auf Anfrage)  
D1 < 38 con / with / mit 3  
D1 ≥ 38 con / with / mit 4

BEBA-4									
Code	D1	D3	D4	D5	D8	R	L	L2	L3
BEBA19-4	19	32	32	40	39	26	43	23	20
BEBA20-4	20	32	32	40	39	26	43	23	20
BEBA24-4	24	40	40	48	46	30	59	23	36
BEBA25-4	25	40	40	48	46	30	59	23	36
BEBA30-4	30	48	48	56	53	33,5	75	30	45
BEBA32-4	32	48	48	56	53	33,5	75	30	45
BEBA38-4	38	58	58	66	63	38,5	82	37	45
BEBA40-4	40	58	58	66	63	38,5	82	37	45
BEBA48-4	48	70	70	80	77	45,5	97	47	50
BEBA50-4	50	70	70	80	77	45,5	97	47	50
BEBA60-4	60	85	85	95	92	53	116	60	56
BEBA63-4	63	85	85	95	92	53	116	60	56
BEBA80-4	80	105	105	118	115	64,5	120	60	60

BEBA-1									
Code	D1	D3	D4	D5	D8	R	L	L2	L3
BEBA19-1	19	32	32	40	39	26	59	23	36
BEBA20-1	20	32	32	40	39	26	59	23	36
BEBA24-1	24	40	40	48	46	30	79	23	56
BEBA25-1	25	40	40	48	46	30	79	23	56
BEBA30-1	30	48	48	56	53	33,5	93	30	63
BEBA32-1	32	48	48	56	53	33,5	93	30	63
BEBA38-1	38	58	58	66	63	38,5	108	37	71
BEBA40-1	40	58	58	66	63	38,5	108	37	71
BEBA48-1	48	70	70	80	77	45,5	127	47	80
BEBA50-1	50	70	70	80	77	45,5	127	47	80
BEBA60-1	60	85	85	95	92	53	150	60	90
BEBA63-1	63	85	85	95	92	53	150	60	90
BEBA80-1	80	105	105	118	115	64,5	150	60	90

ISO 9448-4

Material: 1.7131 - Hardness: 61÷63 HRC



B5A-1										
Code	D1	D3	D4	D5	D6	T	K	L	L2	L3
B5A19-1	19	32	50	40	4,5	4,6	18	52	37	15
B5A20-1	20	32	50	40	4,5	4,6	18	52	37	15
B5A24-1	24	40	63	50	5,5	5,7	23	62	37	25
B5A25-1	25	40	63	50	5,5	5,7	23	62	37	25
B5A30-1	30	48	72	58	5,5	5,7	28	72	47	25
B5A32-1	32	48	72	58	5,5	5,7	28	72	47	25
B5A38-1	38	58	85	70	6,6	6,8	33	77	47	30
B5A40-1	40	58	85	70	6,6	6,8	33	77	47	30
B5A48-1	48	70	104	86	9	9	38	102	60	42
B5A50-1	50	70	104	86	9	9	38	102	60	42
B5A60-1	60	85	120	100	9	9	46	102	60	42
B5A63-1	63	85	120	100	9	9	46	102	60	42
B5A80-1	80	105	148	125	11	11	56	125	75	50

B5A-2										
Code	D1	D3	D4	D5	D6	T	K	L	L2	L3
B5A19-2	19	32	50	40	4,5	4,6	18	45	30	15
B5A20-2	20	32	50	40	4,5	4,6	18	45	30	15
B5A24-2	24	40	63	50	5,5	5,7	23	55	30	25
B5A25-2	25	40	63	50	5,5	5,7	23	55	30	25
B5A30-2	30	48	72	58	5,5	5,7	28	62	37	25
B5A32-2	32	48	72	58	5,5	5,7	28	62	37	25
B5A38-2	38	58	85	70	6,6	6,8	33	67	37	30
B5A40-2	40	58	85	70	6,6	6,8	33	67	37	30
B5A48-2	48	70	104	86	9	9	38	89	47	42
B5A50-2	50	70	104	86	9	9	38	89	47	42
B5A60-2	60	85	120	100	9	9	46	89	47	42
B5A63-2	63	85	120	100	9	9	46	89	47	42

**Rivestimento ENSCOAT\***

Mediante un trattamento meccanico si creano superficialmente delle microporosità che vengono riempite da polimeri fluorocarbonici. Grazie a questo processo, l'usura superficiale dei polimeri non preclude le caratteristiche del trattamento.

Buone proprietà antigrippanti, basso coefficiente di attrito (0,06) sono sviluppate grazie alla combinazione fluoropolimeri-grafite.

**ENSCOAT\* coating**

By a mechanical treatment, superficially some micropores are forming. This microporosity is filled with fluorocarbon polymers.

Thanks to this process, the surface wear of polymers does not change characteristics of treatment.

Good anti-seized properties and low friction coefficient (0,005-0,2) are developed through the combination of fluoropolymers and graphite.

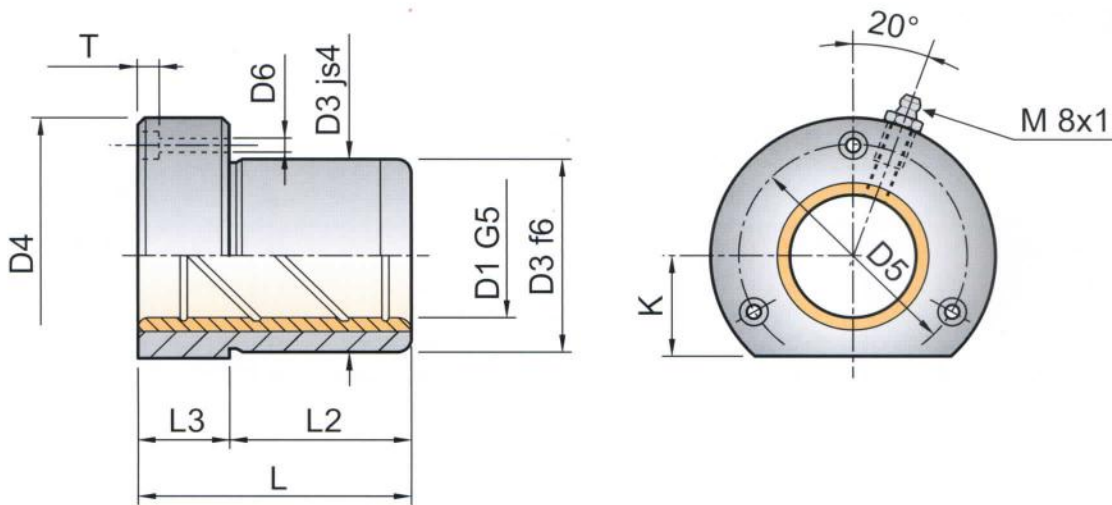
**ENSCOAT\*-Beschichtung**

Die ENSCOAT-Beschichtung ist eine Oberflächenbeschichtung auf Basis von Fluoropolymeren, die auf die Oberfläche der Führungsbuchse aufgetragen wird und in die äußere Schicht des Materials eindringt. Da diese Beschichtung in die Poren des Materials eindringt, gehen auch bei verschleißten Teilen die Gleiteigenschaften nicht verloren. Dank der Kombination Fluoropolymere-Grafit verbindet die ENSCOAT-Beschichtung gute selbstschmierende Eigenschaften und einen niedrigen Reibungskoeffizienten (0,06).

B5A-4										
Code	D1	D3	D4	D5	D6	T	K	L	L2	L3
B5A19-4	19	32	50	40	4,5	4,6	18	38	23	15
B5A20-4	20	32	50	40	4,5	4,6	18	38	23	15
B5A24-4	24	40	63	50	5,5	5,7	23	38	23	15
B5A25-4	25	40	63	50	5,5	5,7	23	38	23	15
B5A30-4	30	48	72	58	5,5	5,7	28	45	30	15
B5A32-4	32	48	72	58	5,5	5,7	28	45	30	15
B5A38-4	38	58	85	70	6,6	6,8	33	55	30	25
B5A40-4	40	58	85	70	6,6	6,8	33	55	30	25
B5A48-4	48	70	104	86	9	9	38	62	37	25
B5A50-4	50	70	104	86	9	9	38	62	37	25

ISO 9448-4

Material: 1.7131 - Hardness: 52-54 HRC  
Bronze



B5BA-1										
Code	D1	D3	D4	D5	D6	T	K	L	L2	L3
B5BA19-1	19	32	50	40	4,5	4,6	18	52	37	15
B5BA20-1	20	32	50	40	4,5	4,6	18	52	37	15
B5BA24-1	24	40	63	50	5,5	5,7	23	62	37	25
B5BA25-1	25	40	63	50	5,5	5,7	23	62	37	25
B5BA30-1	30	48	72	58	5,5	5,7	28	72	47	25
B5BA32-1	32	48	72	58	5,5	5,7	28	72	47	25
B5BA38-1	38	58	85	70	6,6	6,8	33	77	47	30
B5BA40-1	40	58	85	70	6,6	6,8	33	77	47	30
B5BA48-1	48	70	104	86	9	9	38	102	60	42
B5BA50-1	50	70	104	86	9	9	38	102	60	42
B5BA60-1	60	85	120	100	9	9	46	102	60	42
B5BA63-1	63	85	120	100	9	9	46	102	60	42
B5BA80-1	80	105	148	125	11	11	56	125	75	50

B5BA-2										
Code	D1	D3	D4	D5	D6	T	K	L	L2	L3
B5BA19-2	19	32	50	40	4,5	4,6	18	45	30	15
B5BA20-2	20	32	50	40	4,5	4,6	18	45	30	15
B5BA24-2	24	40	63	50	5,5	5,7	23	55	30	25
B5BA25-2	25	40	63	50	5,5	5,7	23	55	30	25
B5BA30-2	30	48	72	58	5,5	5,7	28	62	37	25
B5BA32-2	32	48	72	58	5,5	5,7	28	62	37	25
B5BA38-2	38	58	85	70	6,6	6,8	33	67	37	30
B5BA40-2	40	58	85	70	6,6	6,8	33	67	37	30
B5BA48-2	48	70	104	86	9	9	38	89	47	42
B5BA50-2	50	70	104	86	9	9	38	89	47	42
B5BA60-2	60	85	120	100	9	9	46	89	47	42
B5BA63-2	63	85	120	100	9	9	46	89	47	42

B5BA-4										
Code	D1	D3	D4	D5	D6	T	K	L	L2	L3
B5BA19-4	19	32	50	40	4,5	4,6	18	38	23	15
B5BA20-4	20	32	50	40	4,5	4,6	18	38	23	15
B5BA24-4	24	40	63	50	5,5	5,7	23	38	23	15
B5BA25-4	25	40	63	50	5,5	5,7	23	38	23	15
B5BA30-4	30	48	72	58	5,5	5,7	28	45	30	15
B5BA32-4	32	48	72	58	5,5	5,7	28	45	30	15
B5BA38-4	38	58	85	70	6,6	6,8	33	55	30	25
B5BA40-4	40	58	85	70	6,6	6,8	33	55	30	25
B5BA48-4	48	70	104	86	9	9	38	62	37	25
B5BA50-4	50	70	104	86	9	9	38	62	37	25